
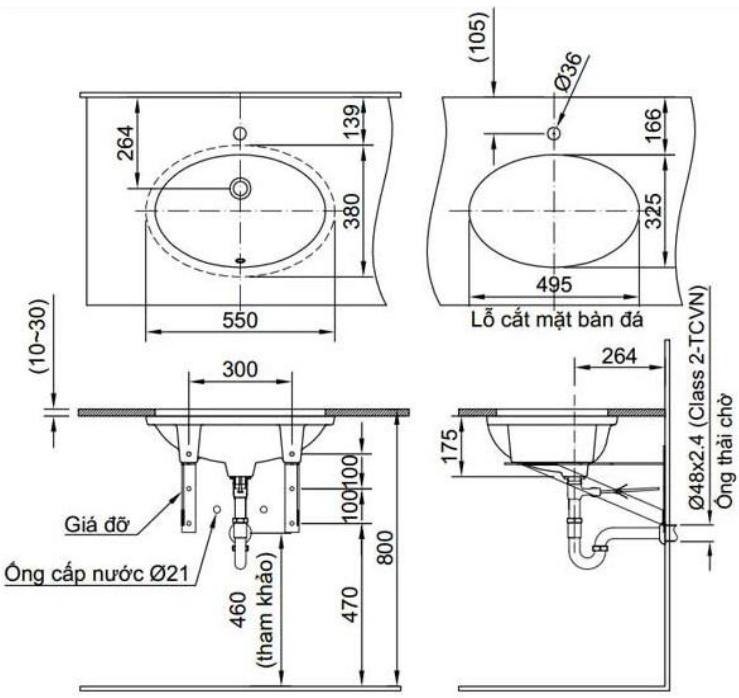
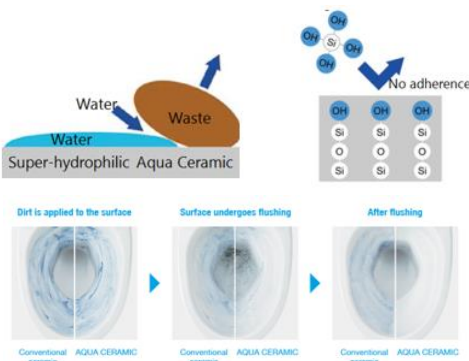




PROJECT		REF		REV	ITEM CODE	
LOCATION		DATE			PAGE	

SANITARY WARE SPECIFICATION SHEET

<p>Item Descriptions</p> <p>Dimensions</p> <p>Model</p> <p>Finish</p> <p>Brand</p> <p>Country of Origin</p> <p>Source</p> <p>Contact Tel/Fax</p> <p>E-mail</p> <p>Website</p>	<p>Inax (Japan) Vitreous china under counter washbasin; Aqua Ceramic against stain and the build-up of bacteria</p> <p>L550 x W380 x H175 mm</p> <p>AL-2216V/BW1</p> <p>Vitreous China</p> <p>Inax (Japan)</p> <p>Vietnam</p> <p>Acme Sanitary Ware Co. Ltd Mr. Eric Wong/ Mr. Don Yuen</p> <p>(852) 2388-7171 / (852) 2710-8012</p> <p>acme@acmesanitary.com.hk</p> <p>www.acmesanitary.com.hk</p>	<p style="text-align: center;">Illustration/ Drawing</p> <p style="text-align: right;">AQUA CERAMIC</p>  <ul style="list-style-type: none"> · Under counter wash basin · "AQUACERAMIC" Technology for Anti Water Stain
---	---	---

	<p style="text-align: right;"></p> <p style="text-align: center;">AQUA 100 Years of Clean CERAMIC</p> <p>AQUACERAMIC – prevent scratch marks, marks from waste, water scale stains and the build-up of bacteria.</p> <p>AQUA CERAMIC is the first material in the world that is able to address the four main issues that affect the cleanliness of toilets: scuffing and scratching, marks from waste, stains caused by prolonged exposure to hard water, and the build-up of bacteria.</p>  <p style="text-align: center;"><small>Conventional ceramic AQUA CERAMIC Conventional ceramic AQUA CERAMIC Conventional ceramic AQUA CERAMIC</small></p>
---	---

Note:



* All information of the above is for the reference only. No prior notice is made if any changes.